



PROFILE 01TX FABRIC

– graphic on fabric - what a feeling !!

With our slim 01TX tension fabric profile you can create sleek, elegant looking frames where only the graphic is visible from the front.

With a profile thickness of just 15.5mm, the natural anodised aluminium profile offers slender looks complementing the tensioned fabric graphic.

The fabric graphic has a silicone strip sewn around the edges that is folded and inserted into the frame channel.

This offers a simple and quick method for replacing graphics. Frames have mitred corners with a hidden coupling and are assembled using just one tool.

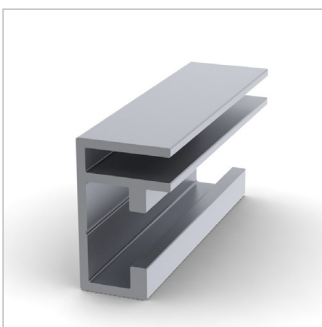


FACTS:

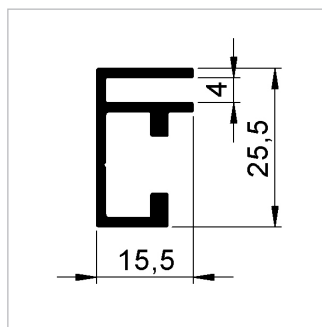
Natural anodised aluminium profile 01TX is supplied in 5 m stock lengths or can be cut to custom sizes.

Recommended media: Stretch fabric

Art no	Description	Size	Packaging
01 TX	Profile 01 TX	25x16x5000 mm	100 m
613	Angle coupling 613	60x7x60 mm	100 pcs
350 TX	Silicon strip 350 TX	3x14 mm	100 m
540	Connector 540 (for internal support)		100 pcs
01	Profile 01	12x20x5000 mm	100 m



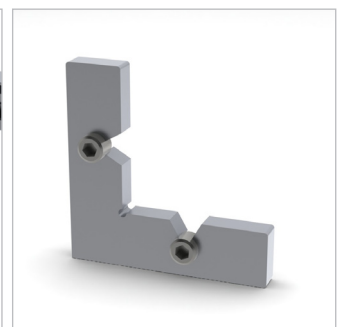
Profile 01TX for fabric solutions.



The profile is 15,5 mm deep.



The frame is held together by coupling 613.



Coupling 613.