



PROFILE 02TX FABRIC

– solution for fabric inside a cabinetette !

02TX makes it possible to mount fabric into any other construction made of wood or steel.

Attached the 02TX into your cabinet simply by screwing it into the inside surface. The thin profile makes it possible just to screw a self drilling screw thru the profile or use a adhesive to fix the profile.

The natural anodised aluminium profile offers slender looks complementing the tensioned fabric graphic.

The fabric graphic has a silicone strip sewn around the edges that is folded and inserted into the frame channel. This offers a simple and quick method for replacing graphics.

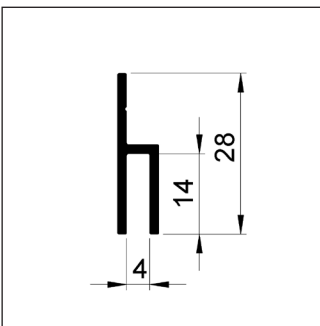


FACTS:

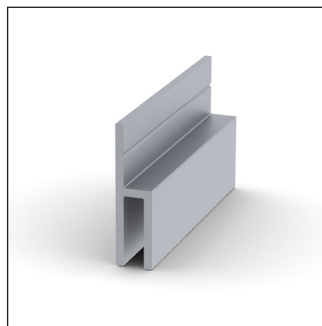
Natural anodised aluminium profile 02TX is supplied in 5 m stock lengths or can be cut to custom sizes.

Recommended media: Stretch fabric

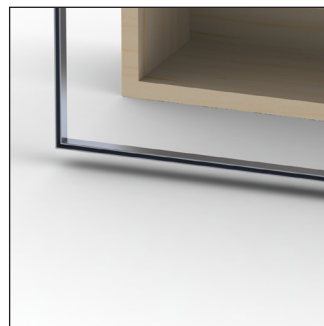
Art No	Description	Size	Packaging
02TX	Profile 02TX	7x5000x28 mm	100 m



02TX profile dimensions.



Profile 02TX is for single sided graphics.



Easy to fix inside the cabinetette.