

EXHIBITION
DISPLAY
INTERIOR SOLUTIONS

PROFILE 03TX



The System with profile
since 1965

PROFILE 03TX FABRIC

– strong solution for graphic frames !

With our 03TX tension fabric profile you can create sleek, elegant looking frames where only the graphic is visible from the front.

With a profile thickness of 30mm, the natural anodised aluminium profile offers slender looks complementing the tensioned fabric graphic.

The fabric graphic has a silicone strip sewn around the edges that is folded and inserted into the frame channel. This offers a simple and quick method for replacing graphics.

Frames have mitred corners with a hidden coupling and are assembled using just one tool.



FACTS:

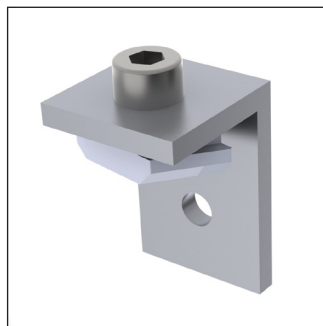
Natural anodised aluminium profile 03TX is supplied in 5 m stock lengths or can be cut to custom sizes.

Recommended media: Stretch fabric

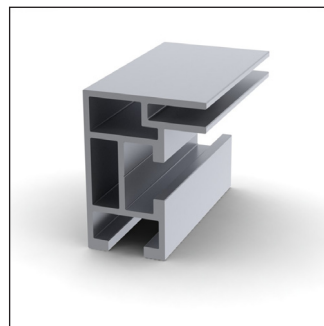
Art No	Description	Size	Packaging
03TX	Profile 03TX	30x5000x40 mm	100 m
613	Coupling 613	60x7x60 mm	100 pcs
520	Fixing bracket with screw and nut	20x20x30 mm	100 pcs



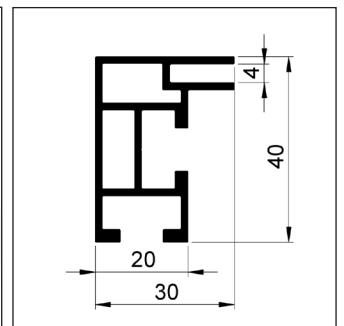
Mitred frame with coupling 613.



Smart fixing solution – Use a 520 to fix the frame to the wall.



Profile 03TX is for single sided graphics.



03TX profile dimensions.