



The System with profile  
since 1965

# PROFILE 80S

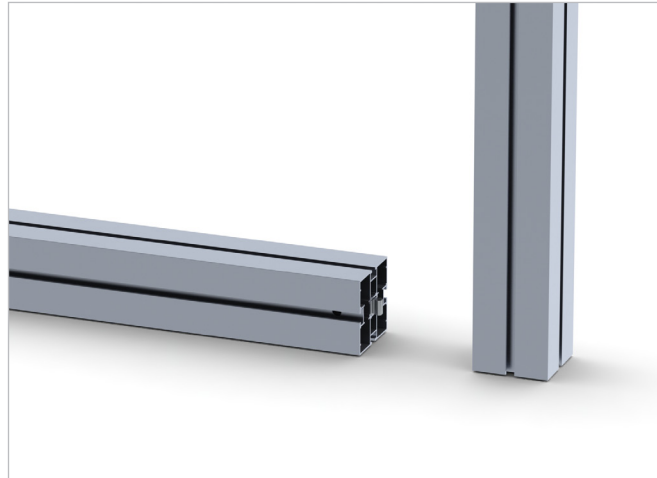
– for stronger construction !

The profile 80S was designed for use in where a stronger profile is required. It's an Ideal profile for use in larger build environments such as exhibition booths with large spans between uprights.

The profile can be fitted with three connectors giving it an extremely strong joint. Enabling you to make larger more stable designs.

We can supply foot plates as an accessory to give you extra stability to an upright. Available in the following sizes 250x300x5mm and 400x400x5mm

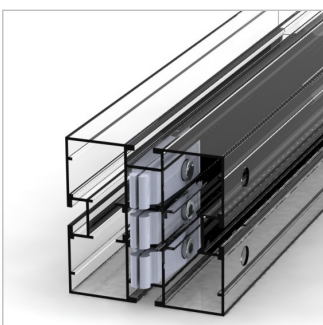
The 80S has the standard 9mm channel making it fully compatible with all other Foga profiles. Panels up to 9mm thick can be inserted. We can supply a gasket for use when thinner panels are used.



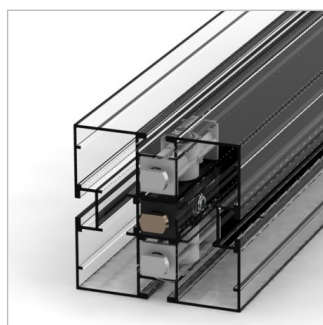
**FACTS:**

Natural anodised aluminium profile 80S is supplied in 5m stock lengths or can be cut to custom sizes.

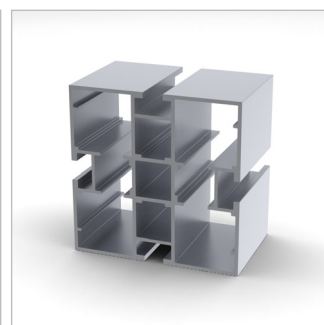
Art No	Description	Size	Packaging
80S	Profile 80S	80x5000x40 mm	50 m
615 A/B	Coupling 615		100 pcs
608	Coupling 608		100 pcs



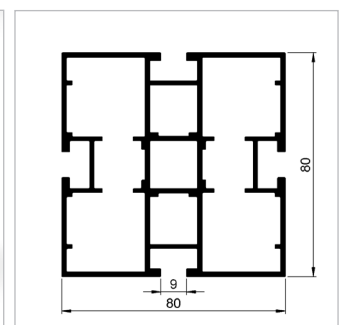
Strong connection with 3 pcs of coupling 608.



Strong connection with 3 pcs of coupling 615.



Profile 80S can be used for larger designs.



80S profile dimensions.