



PROFILE 80TX FABRIC

– double sided and strong for fabric !

With our large 80TX tension fabric profile you can create elegant double sided frames where only the graphic is visible from the front.

With a profile thickness of 80mm, the natural anodised aluminium profile offers appealing looks complementing the tensioned fabric graphic.

Designed to be free standing when used with base plates or wall mounted.

The fabric graphic has a silicone strip sewn around the edges that is folded and inserted into the frame channel. This offers a simple and quick method for replacing graphics.

Frames have mitred corners with a hidden coupling and are assembled using just one tool.



FACTS:

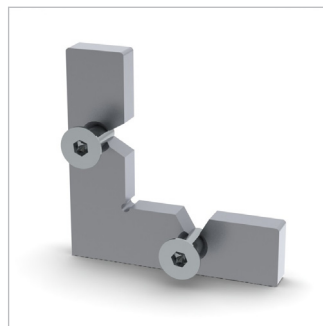
Natural anodised aluminium profile 80TX is supplied in 5m stock lengths or can be cut to custom sizes.

Recommended media: Stretch fabric

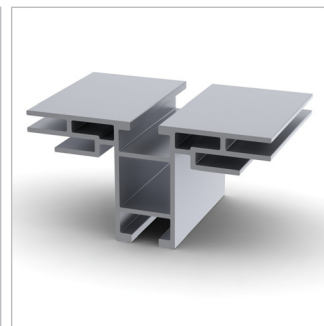
Art No	Description	Size	Packaging
80 TX	Profile 80TX	80x5000x40 mm	100 m
614	Coupling 614	60x7x60 mm	100 pcs
350 TX	Silicon strip 350 TX	3x14 mm	100 m



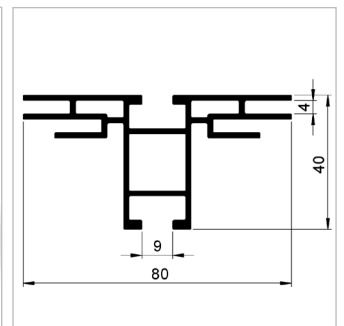
Mitred frame with coupling 614



Strong coupling 614.



Profile 80TX can be used for double sided graphics and have LED lighting fitted.



80TX profile dimensions.