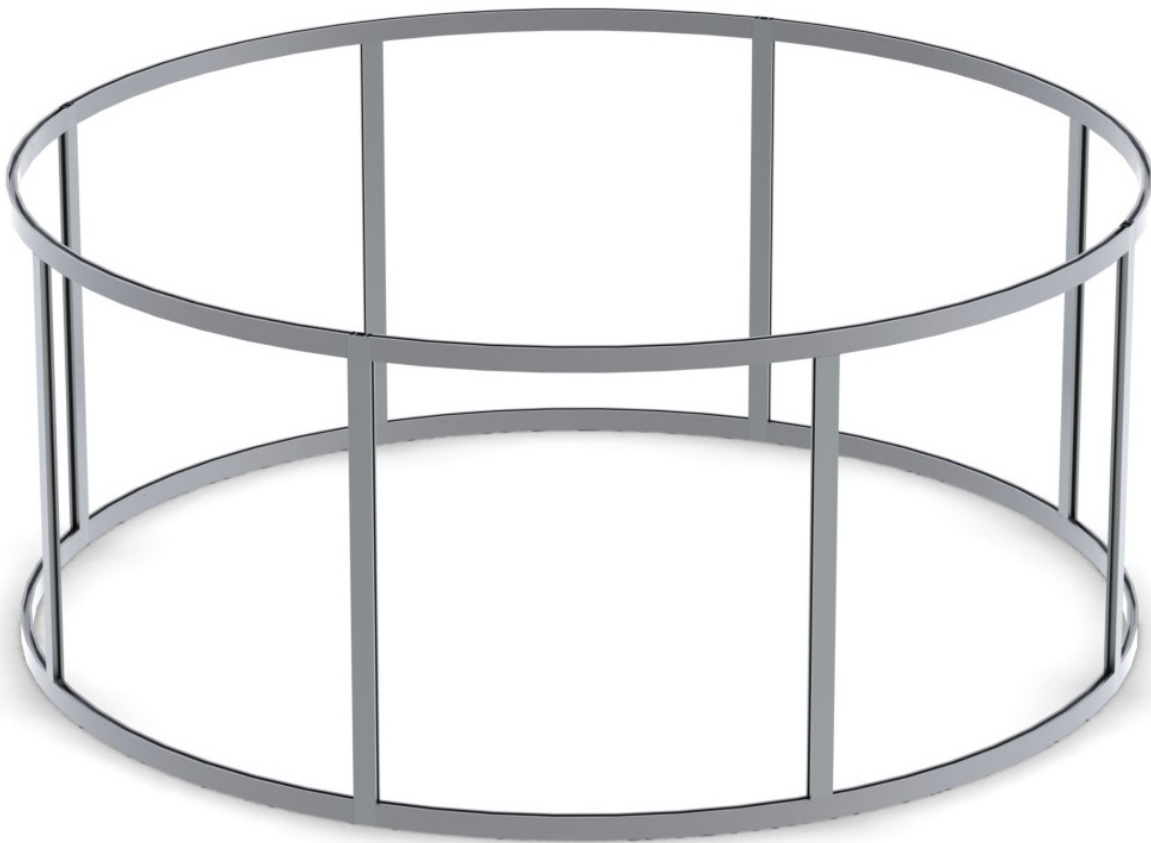


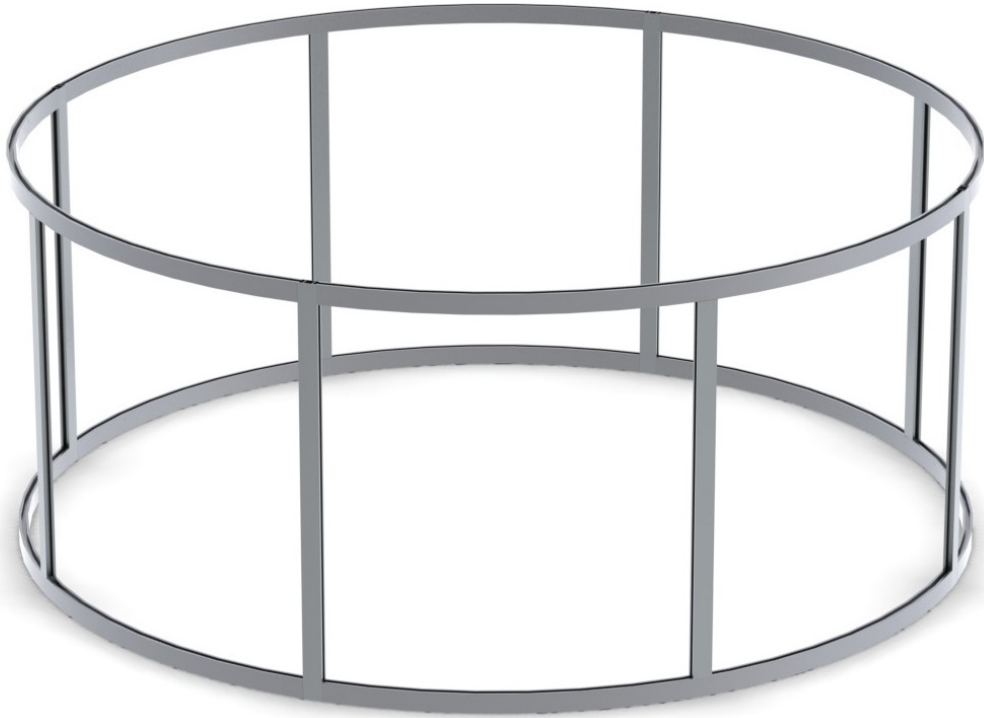
CURVED WALL



CURVED WALL

– make an impact

Be different – Stand out from the crowd. Build a curved wall or cylinder with a minimum radius of 600mm. Attach your graphics to the face of the system with Velcro or simply insert them into the channel of the profile. Make an impact by suspending the cylinder from the ceiling.

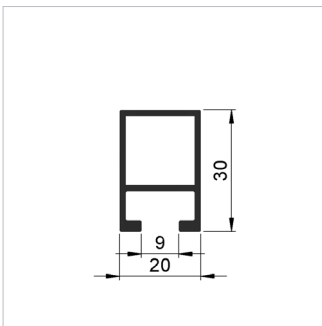


KEY FACTS:

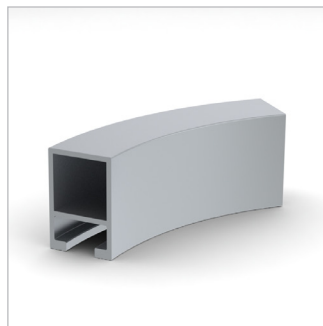
Curved frame in natural anodised aluminium profile 91 or 92

Minimum radius 600mm

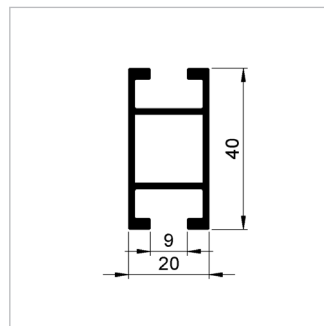
Art No	Description	Size
873 042 22	Profile 91	
873 051 22	Profile 92	



91 profile dimensions.



91 profile curved.



92 profile dimensions.



92 profile curved.