

EXHIBITION
DISPLAY
INTERIOR SOLUTIONS

PROFILE 92LTX



The System with profile
since 1965

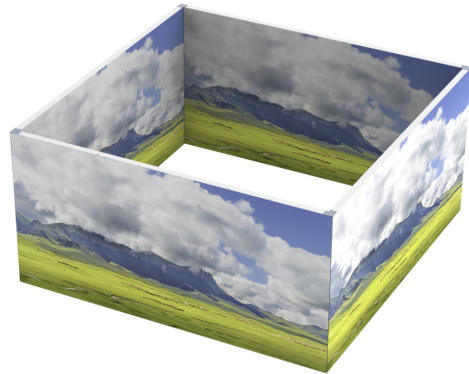
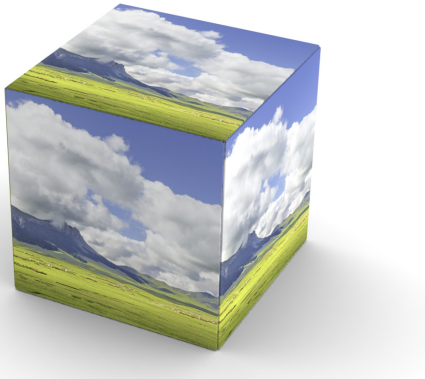
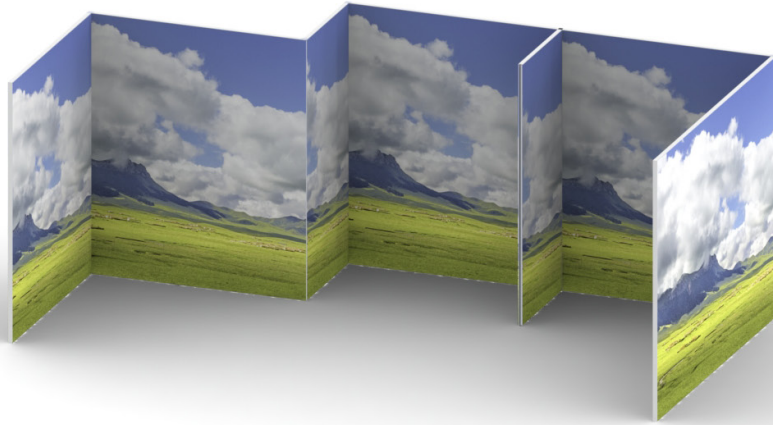
PROFILE 92LTX FABRIC

– corner profile for fabric solutions !

The new 92LTX fabric corner profile makes seamless graphic solutions a reality.

With no visible aluminium profile the fabric can extend all the way to the corner of the graphic internally or externally giving you the opportunity to create cubes with seamless graphics.

A strong and cost effective profile that is easy to use that has a complimentary end cap to let create that graphic solution your client requires.

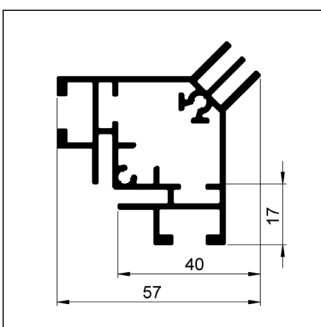


FACTS:

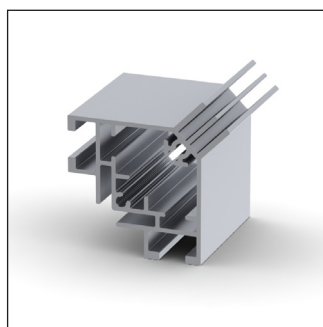
Natural anodised aluminium profile 92LTX is supplied in 5 m stock lengths or can be cut to custom sizes.

Recommended media: Stretch fabric

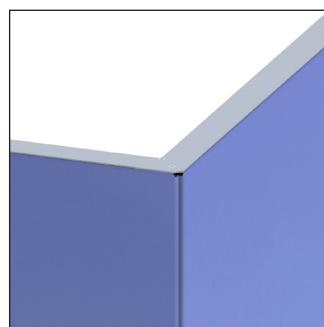
Art No	Description	Size	Packaging
873 802 22	Profile 92LTX	57x5000x57 mm	100 m
876 900 92	End cap for 92LTX		



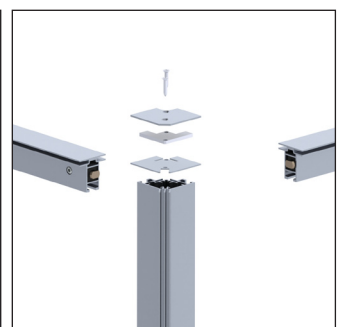
92LTX profile dimensions



Profile 92LTX



Fabric all the way to the corner



92LTX profile together with profile 92TX