



PROFILE 92TX FABRIC

– strong solution for graphic frames !

With our 92TX tension fabric profile you can create sleek, elegant looking double sided frames where only the graphic is visible.

With a profile thickness of 40mm the natural anodised aluminium profile offers slender looks complementing the tensioned fabric graphic.

The fabric graphic has a silicone strip sewn around the edges that is folded and inserted into the frame channel. This offers a simple and quick method for replacing graphics.

Frames have mitred corners with a hidden coupling and are assembled using just one tool.

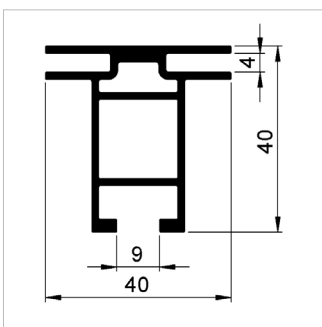


FACTS:

Natural anodised aluminium profile 92TX is supplied in 5 m stock lengths or can be cut to custom sizes.

Recommended media: Stretch fabric

Art No	Description	Size	Packaging
92TX	Profile 92TX	40x5000x40 mm	100 m
614	Coupling 614	60x7x60 mm	100 pcs
520	Fixing bracket with screw and nut	20x20x30 mm	100 pcs
730, 740	Foot plate Grey	250x5x350 mm, 400x5x400 mm	1 pcs



92TX profile dimensions.



Profile 92TX is for double sided graphics.



Smart fixing solution – Use a 520 to fix the frame to the wall.



Fabric Wall of profile 92TX.